

HK

HK

P7 K3
Selfloading Pistol
.22 LR/7.65/9 mm short



HECKLER & KOCH GMBH
D-7238 OBERNDORF/NECKAR

TELEFON 07423/79-1
TELEX 760313
TELEGRAMM-ADRESSE: HEKLERKOCH

Attention

- Thoroughly read these instructions before taking the weapon in hand. Mind all notes for handling and use.
- Strictly obey the principles for handling and use.
- Always treat the pistol as if it is loaded and ready to fire.
- Handling of pistols requires special prudence as their pointing direction can be easily changed.
- Never point the pistol at persons when handling or training with it.
- On no account use force when handling, dismantling and cleaning the pistol.
- Safe handling of the pistol is guaranteed by its mature design and the accurate production of all components. However, safety and operation may be impaired by extraordinary strain as hard shocks, drops or shock forces. If this should arise the weapon has to be sent in to the producer or to an authorized gun shop for inspection and/or repair.
- H & K does not accept any responsibility for incidents caused by incorrect handling, improper treatment, unauthorized exchange of parts and other manipulations on the weapons, as well as for incidents caused by the firing of under- or overloaded ammunition.

Table of contents

	Page
Design features · Advantages	3
General instructions on handling	4
Filling the magazine · Loading the pistol	5
Firing · Sequence of operations	6
Reloading when the magazine is empty	7
Slide catch lever	8
Unloading the pistol	9
Stripping for cleaning	10
Assembling the pistol	10
Conversion for change of calibre	11
Conversion kit cal. .22 LR	12
Removal and installation of the firing pin	14
Adjustment · Sights	15
Care of the pistol	16
Main cleaning	16
Specifications	17
Assemblies	18
Components	20

Design features · Advantages

Calibres .22 LR / .320 ACP (7.65 mm) / .380 ACP (9 mm short)

The P7 K3 Pistol is the most recent model in the range of P7 Pistols. Its design and operation are largely identical to the already well introduced P7 M8 and P7 M13 Pistols.

Essential characteristics of the P7 K3:

- Conversion kits for calibres .22 LR, 7.65 mm and 9 mm short
- Inertia blowback action
- New type of slide buffer system
- Changeable, fixed barrel with polygon bore profile
- Excellent ergonomic design
- Compactness and smooth external surfaces
- Highly suitable for concealed carrying

- Rapid aiming thanks to close proximity of sighting line and upper edge of the hand
 - High durability and robustness
 - High accuracy of fire provided by constant low trigger pressure, right from the first shot
 - Completely identical handling from left and right, therefore suitable for both left- and right-handed shooters
 - Squeeze cocking system
 - Hardened steel grip frame
- The P7 K3 Pistol is a service pistol with three conversion kits for sporting, self-defence or practice shooting. The most suitable ammunition for intensive practice training is the cheap-price calibre .22 LR.



General instructions on handling

Instead of a conventional double action trigger the P7 K3 features a squeeze cocker on the front of the grip.

When the shooter grasps the weapon, his fingers simultaneously depress the squeeze cocker, which automatically cocks the firing pin. It is not necessary for the shooter to cramp his hand in order to keep the squeeze cocker depressed, since it engages in the cocked position. As soon as the pistol is released, the squeeze cocker snaps forward and automatically uncocks the firing pin.

This system also eliminates the need for a conventional firing pin system incorporating a hammer which requires a great deal of space and is usually of complicated design.

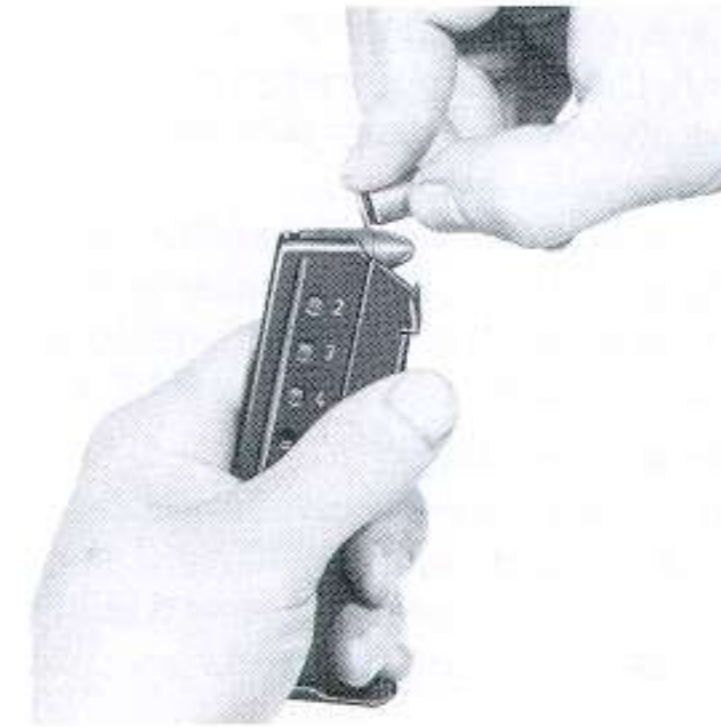
All this means that the pistol is ready to fire instantaneously. The squeeze cocker also releases the

slide catch when the slide is in the open position. A squeeze is all that is required to snap the slide forward. And, of course, this simultaneously chambers a round if a filled magazine is inserted.

There is no lateral slide catch and release lever, this is why the P7 K3 permits superb handling to both left- and right-handed shooters. The pistol grip is angled 110° relative to the barrel. In spite of this ergonomically favourable pistol grip angle, it was nevertheless possible to arrange the magazine virtually perpendicular to the barrel, thereby providing optimum feed of the cartridge from magazine to chamber – even when using special ammunition with unconventional bullet configurations. This makes the pistol considerably less susceptible to malfunctions than conventional models.

Filling the magazine

Insert the cartridges under the magazine lips, base first, by pressing down the follower. The magazine holds 8 rounds.



With the magazine in cal. .22 LR the follower can be pressed down from outside, to facilitate loading of the cartridges.

The magazines in cal. 7.65 mm and 9 mm short look similar. They only differ by the follower which is provided with a respective inscription.

Loading the pistol

Insert a filled magazine into the closed weapon until the magazine catch engages.

Pull the slide back all the way and let it snap forward again.

This chambers the top cartridge from the magazine.

The P7 K3 is now ready to fire.

◀ Fig. 1: Filling the magazine

▼ Fig. 2: Pull back slide



Firing – Sequence of operations

P7 K3 loaded – round in the chamber.

Grasp the weapon, holding it ready to fire – press the squeeze cocker (the firing pin is now cocked for the first shot) – pull the trigger – this will release the cocked firing pin. Keep the squeeze cocker pressed for all subsequent shots, it is only necessary to pull the trigger. Light trigger pull from the first shot on and for all following shots, which means increased accuracy.

Firing by means of the squeeze cocker

When the trigger is pulled and the squeeze cocker is depressed, or when trigger and squeeze cocker are actuated simultaneously, the firing pin will be cocked, snaps forward and will ignite the round. This feature guarantees that the

pistol is always ready to fire, even when the shooter does not carry out the operations in the right sequence.

Recocking

(Should round fail to ignite)
Ease-off gripping and squeeze again – to recock the firing pin – pull the trigger.

Please note:

When firing, the shooter can relieve his grip and hold the P7 K3 with only the force required to hold a conventional pistol without squeeze cocker.

Opening the shooter's hand around the grip (the squeeze cocker will move forward to its initial position) automatically uncocks the P7 K3.

Silent uncocking

To uncock the weapon silently, pull back the slide approx. 10 mm, release the squeeze cocker and lead the slide forward by hand.

▼ Fig. 3: Squeeze cocker depressed



Reloading when the magazine is empty

After the last round has been fired, the slide will remain open.

To continue firing immediately, simply exchange the empty magazine for a full one and

either

depress squeeze cocker; this will cause the slide to snap forward and will automatically cock the firing pin,

or

pull the slide back slightly and let it snap forward.

The P7 K3 is ready to fire again.

Fig. 4: Reloading the pistol



Slide catch lever

The slide catch lever is employed for keeping the action open without a magazine being inserted.



▲ Fig. 5: Slide catch lever

Pull back slide.

Depress projecting slide catch lever in direction of arrow:

Fig. 6: Press in slide catch lever

▼ Either

▼ or



Unloading the pistol

Press magazine catch down and extract magazine.

Pull slide back all the way; this will eject the chambered cartridge.

Make sure, that the chamber is clear.

Let slide snap forward again.

Fig. 7: Press magazine catch down



Stripping for cleaning

- Remove magazine.
- Pull slide back all the way and make sure that the chamber is clear.
- Let slide snap forward again.
- Press slide retainer on receiver.
- Pull back slide all the way and lift off.
- Remove slide to the front.

Assembling the pistol

- Push slide onto receiver from the front.
- Pull back slide all the way.
- Press slide downward and let it snap forward.

Fig. 8: Remove slide



Fig. 9: Place slide on receiver



Conversion for change of calibre

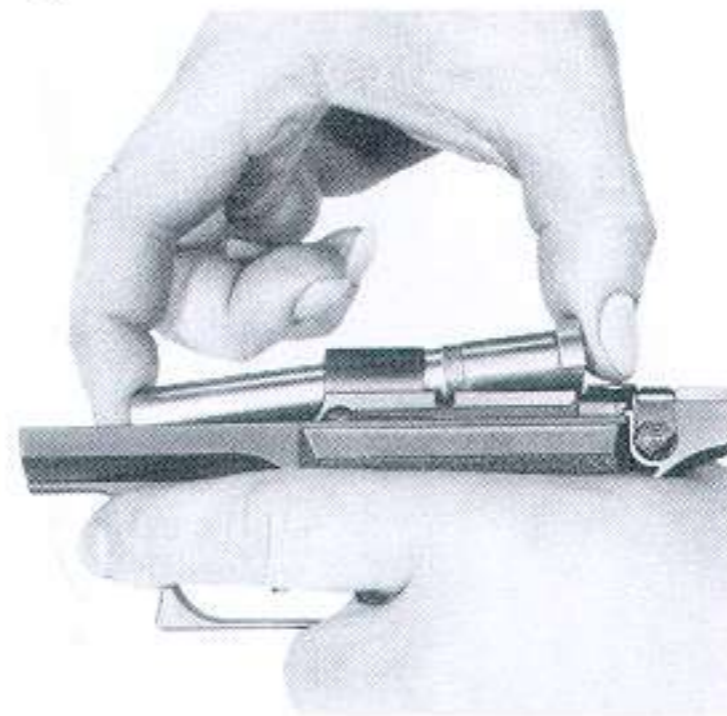
The P7 K3 pistol in the calibre 7.65 mm can be converted to 9 mm short by simply exchanging barrel and magazine.

For the conversion into the .22 LR calibre the slide has additionally to be exchanged. This .22 LR slide is specially suited for cal. .22 LR rim-fire cartridges.

Conversion

- Dismantle the pistol as described on page 10
- Detach the recoil spring
- Loosen barrel nut by means of hook spanner
- Screw the nut off all the way
- Detach the barrel to the rear.

Fig. 10: Detach barrel



Subsequently

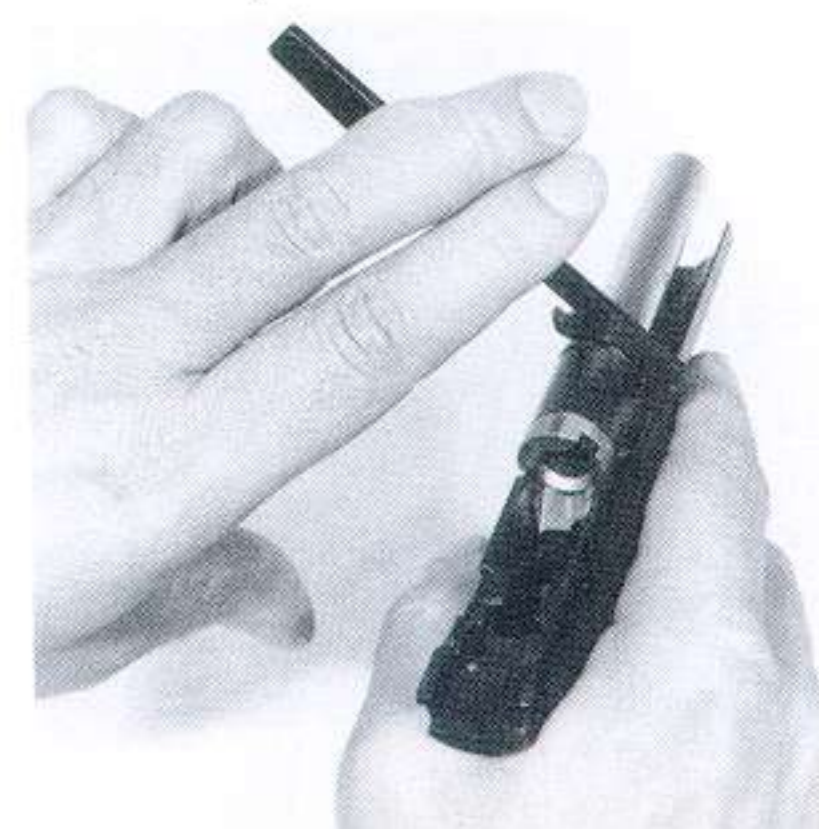
- Insert the desired exchange barrel from the rear into the receiver
- Screw barrel nut on barrel
- Tighten barrel nut by means of the hook spanner
- Slide recoil spring on barrel
- Mount the appropriate slide on receiver as described on page 10
- Insert the appropriate magazine.

Attention

The barrel nut is provided with clamping jaws with a self-locking cone and must therefore not be tightened too strong.

For this reason screw in the barrel nut so far that the barrel seat in the grip is free from play. Subsequently tighten the barrel nut with the hook spanner for a further 90°.

Bild 11: Tighten barrel nut



Conversion kit cal. .22 LR

The cal. .22 LR barrel is provided with a longitudinally floating chamber to reinforce recoil.

We recommend cleaning of this chamber each time after firing.

For this purpose turn the chamber approx. 30° to the right and detach it to the rear.

Depending on the type of ammunition fired there may be bad lead residues. This could result in a blockage of the floating chamber during long firing sequences, causing malfunctions.

If the floating chamber is blocked, use the hook spanner for disassembly and

- insert the hook spanner into the extractor slot in the floating chamber and turn the chamber approx. 30° to the right (Fig. 12).
- Place the hook spanner parallel to the barrel, set one end of the spanner against the stop cam of the floating chamber and loosen the chamber with light blow by pushing the protruding spanner and the pistol against a hard surface (Fig. 13).

- Push the chamber further to the rear (Fig. 14) and detach.

Now the barrel may be dismantled as described on page 11.

For removing the lead residues out of the chamber guide in the barrel, insert the cleaning tool all the way into the barrel guide while rotating the tool clockwise (Fig. 15).

The lead residues on the exterior surface of the floating chamber are removed by means of the scraping edge of the hook spanner (Fig. 16).

Prior to re-assembly lightly oil the chamber again.

Fig. 12: Turning the chamber

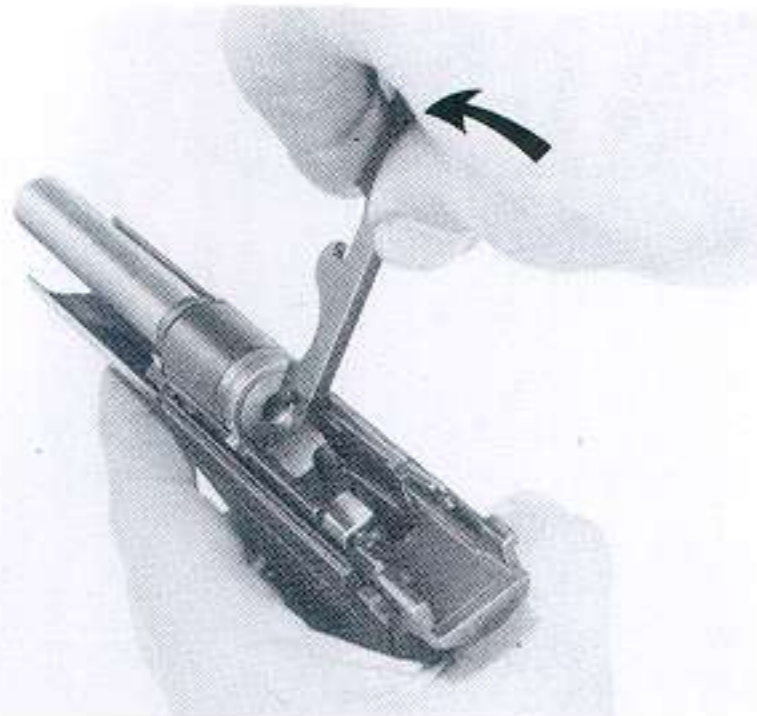


Fig. 13: Loosening the chamber

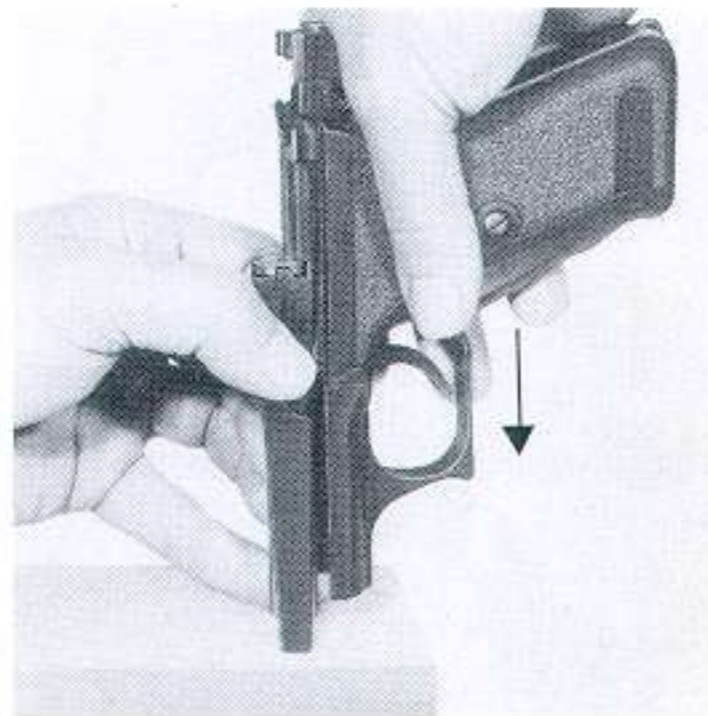


Fig. 15: Cleaning the chamber guide in the barrel

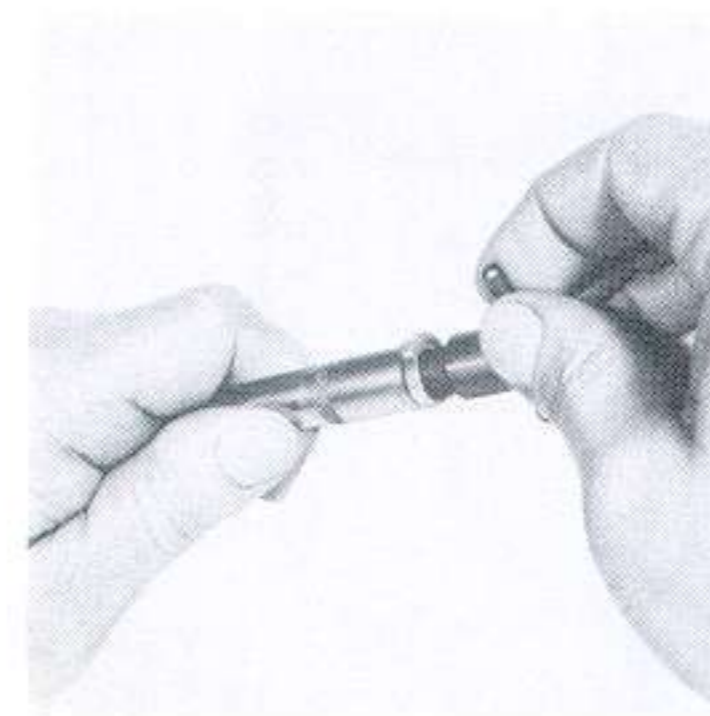
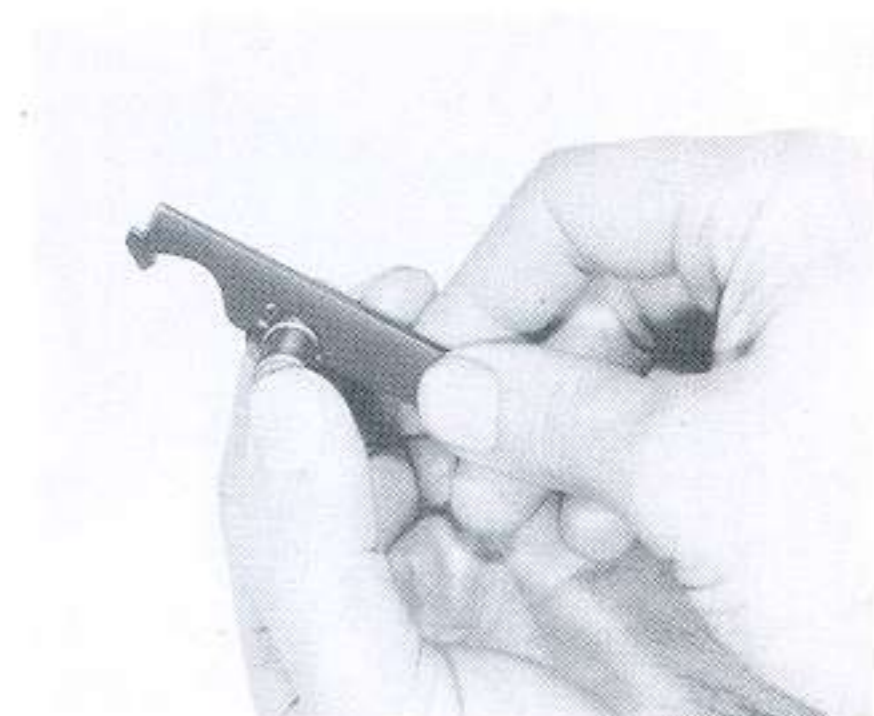


Fig. 14: Pushing the chamber to the rear



Fig. 16: Cleaning the exterior surfaces of the floating chamber



Removal and installation of the firing pin

Removal

Depress squeeze cocker until the firing pin is even with the rear of the slide.

Press firing pin bushing all the way (approx. 0.5 mm) forward and rotate 90° to the right.

Depress squeeze cocker all the way and remove the firing pin.

Note: The firing pin can only be removed from the slide when the slide is on the receiver.

Installation

Insert the firing pin into the slide until the firing pin bushing is located approx. 0.5 mm inside the slide.

Rotate firing pin bushing 90° to the left until it engages.

Note: The firing pins in cal. 7.65 mm/9 mm short and .22 LR differ by the shape of the tip of the firing pin. This firing pin tip has a round shape in the calibres 7.65 mm/9 mm short and a wedge-shape for the calibre .22 LR. For better identification, the cal. .22 LR stronger firing pin spring is coloured grey.

The shapes of the different firing pins have been designed in a way to prevent from mistakes when mounting them.

▼ Fig. 17: Press firing pin bushing forward



Adjustment – Sights

The pistol can be adjusted for windage by loosening the rear sight screw, shifting the rear sight and tightening the rear sight screw.

Adjustment for elevation is performed by means of interchangeable front sights with different heights.

The respective height of the front sight is engraved on the bottom of the front sights.

The sights are equipped with durable contrast points.

This makes them easy to line up against dark targets under twilight conditions.

The P7 K3 is also available with “Betalign” luminous points.



Care of the pistol

For cleaning, it is sufficient to dismantle the pistol as described on page 10.

The service life and performance of the pistol depend upon correct handling and proper care.

The barrel must always be cleaned every time the pistol has been fired.

Generally, cleaning consists of removing dirt and moisture.

Bright parts must be wiped clean and lightly oiled.

To remove dirt in the slide, no hard tools must be used. Otherwise the drop safety catch spring (4) of the drop safety catch (3) could disengage and consequently this drop safety would not function anymore.

Any commercial cleaning agent, gun oil or gun grease which does not contain chlorine or acids may be used.

Main cleaning

We recommend to carry out a main cleaning after 1000 rounds fired or once a year. Additionally to the normal cleaning, the firing pin, the trigger mechanism and the magazine should also be cleaned and oiled (Removal and installation of the firing pin see page 14).

For removing the grip shells unscrew the grip screws all the way, raise the grip shells slightly at the front, push them forward and detach. For mounting the grip shells slide them onto the grip from the front and push them on.

For dismantling the magazine press in the plug of the locking plate in the magazine floor plate, pull magazine floor plate forward and detach the magazine components.

Main cleaning should also involve an inspection of the buffer pin protrusion. To do so, apply the hooked wrench and check whether the pin protrusion is smaller than the step on the hooked wrench. If this is the case, the brake system has to be exchanged.



Fig. 19: Check buffer pin protrusion

Specifications

Operating principle	Recoil operated
Action	Inertia bolt
Feed	Straight magazine for 8 rounds
Mode of fire	Semi-automatic
Calibres	.22 LR, 7.65 mm, 9 mm short

Dimensions

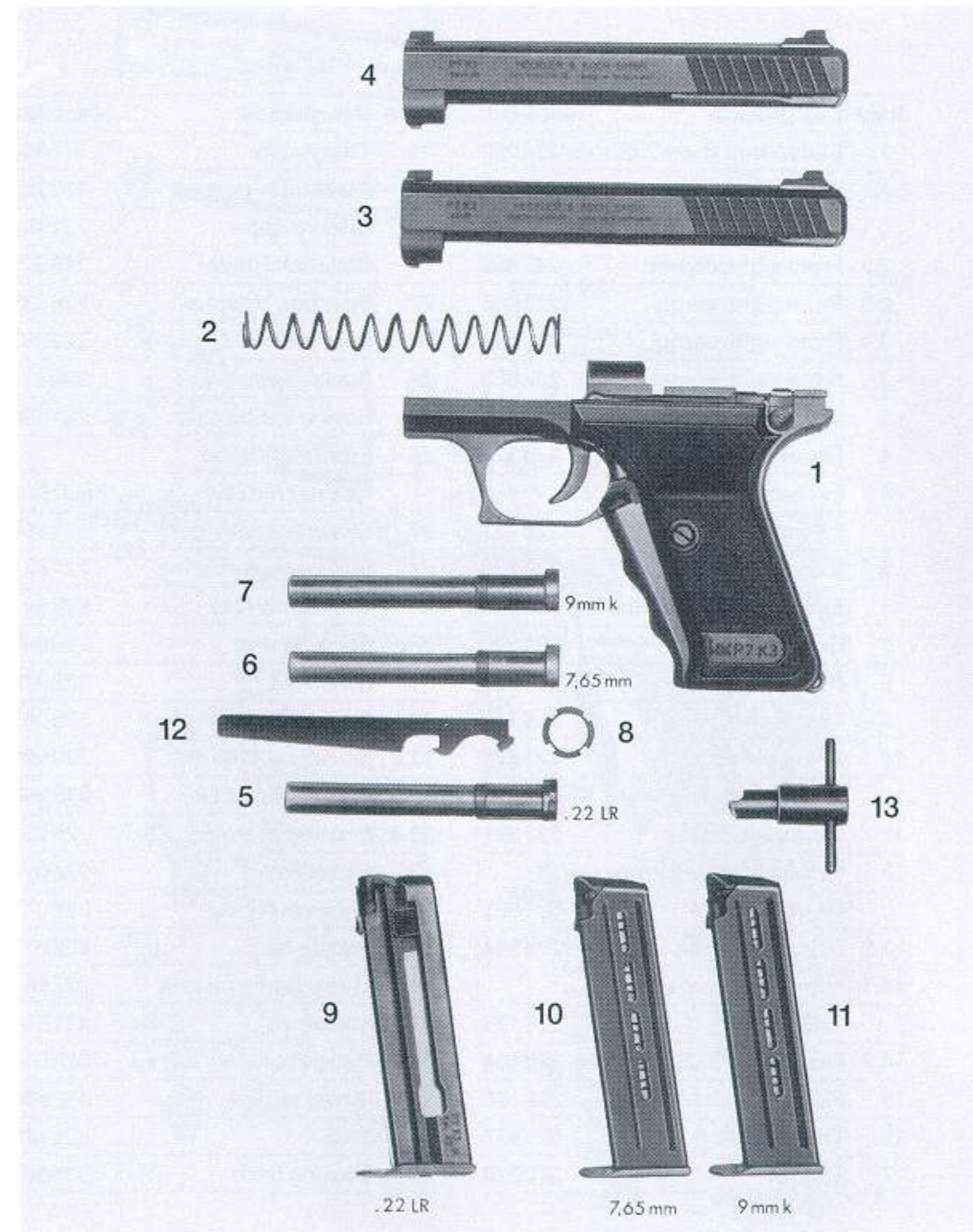
Overall length	160 mm
Height of pistol	125 mm
Width across grips	29 mm
Barrel length	96.5 mm
Sight radius	139 mm

Weights (approx.)

	.22 LR	7.65 mm	9 mm short
Pistol without magazine	775 g	760 g	750 g
Magazine, empty	60 g	55 g	55 g
Magazine, filled with 8 rounds	90 g	115 g	130 g

Item	Designation	Ident-No.
1	Receiver, complete	228070
2	Recoil spring	228069
3	Slide, cal. .22 LR, compl.	228099
4	Slide, cal. 9 mm short/ cal. 7.65 mm, complete	228079
5	Barrel, cal. .22 LR with floating chamber	228095
6	Barrel, cal. 7.65 mm	228092
7	Barrel, cal. 9 mm short	228067
8	Barrel nut	228068
9	Magazine, cal. .22 LR	228105
10	Magazine, cal. 7.65 mm	228064
11	Magazine, cal. 9 mm short	228083
12	Hook spanner	228152
13	Cleaning kit, complete	228362

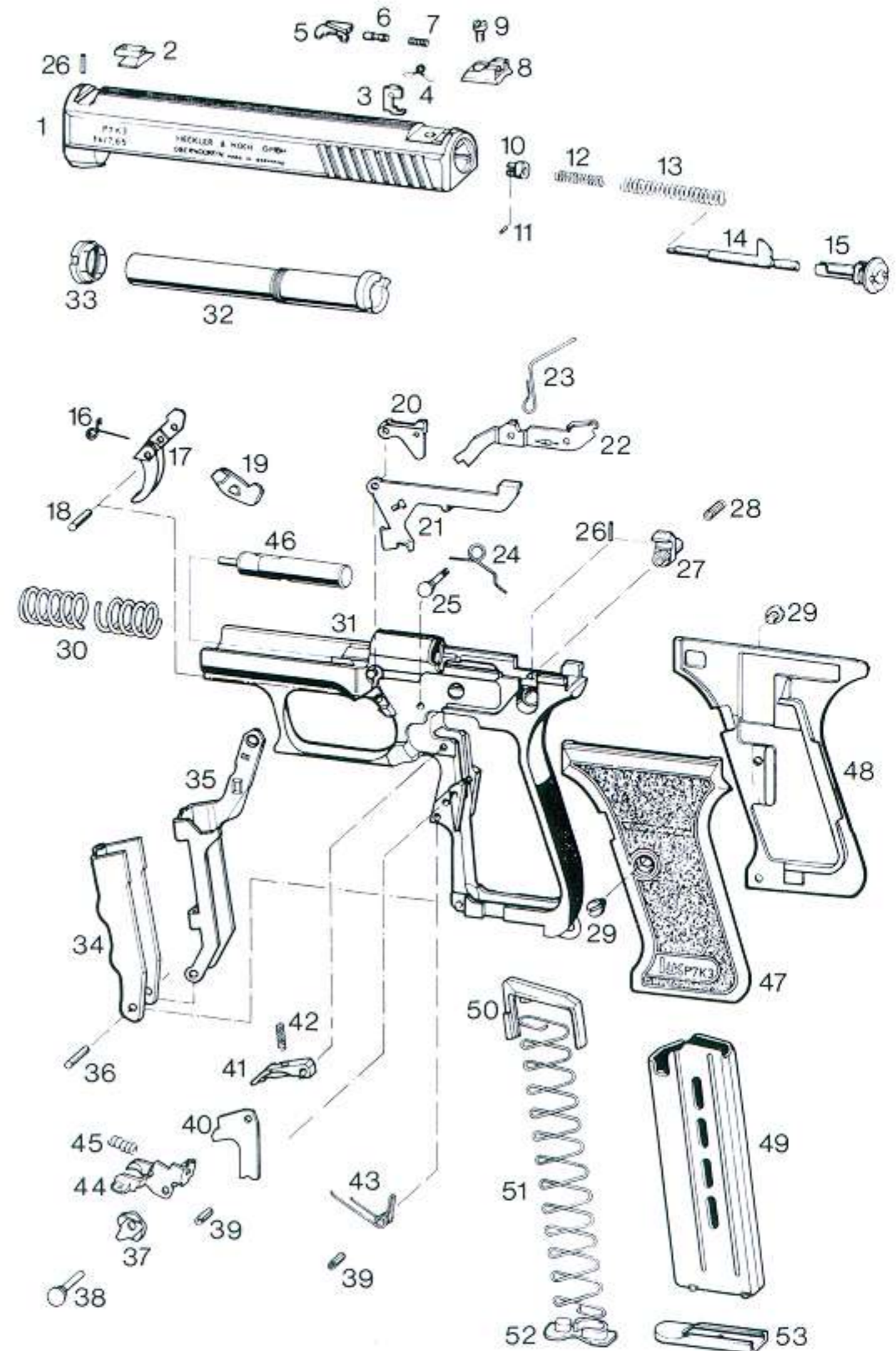
Assemblies



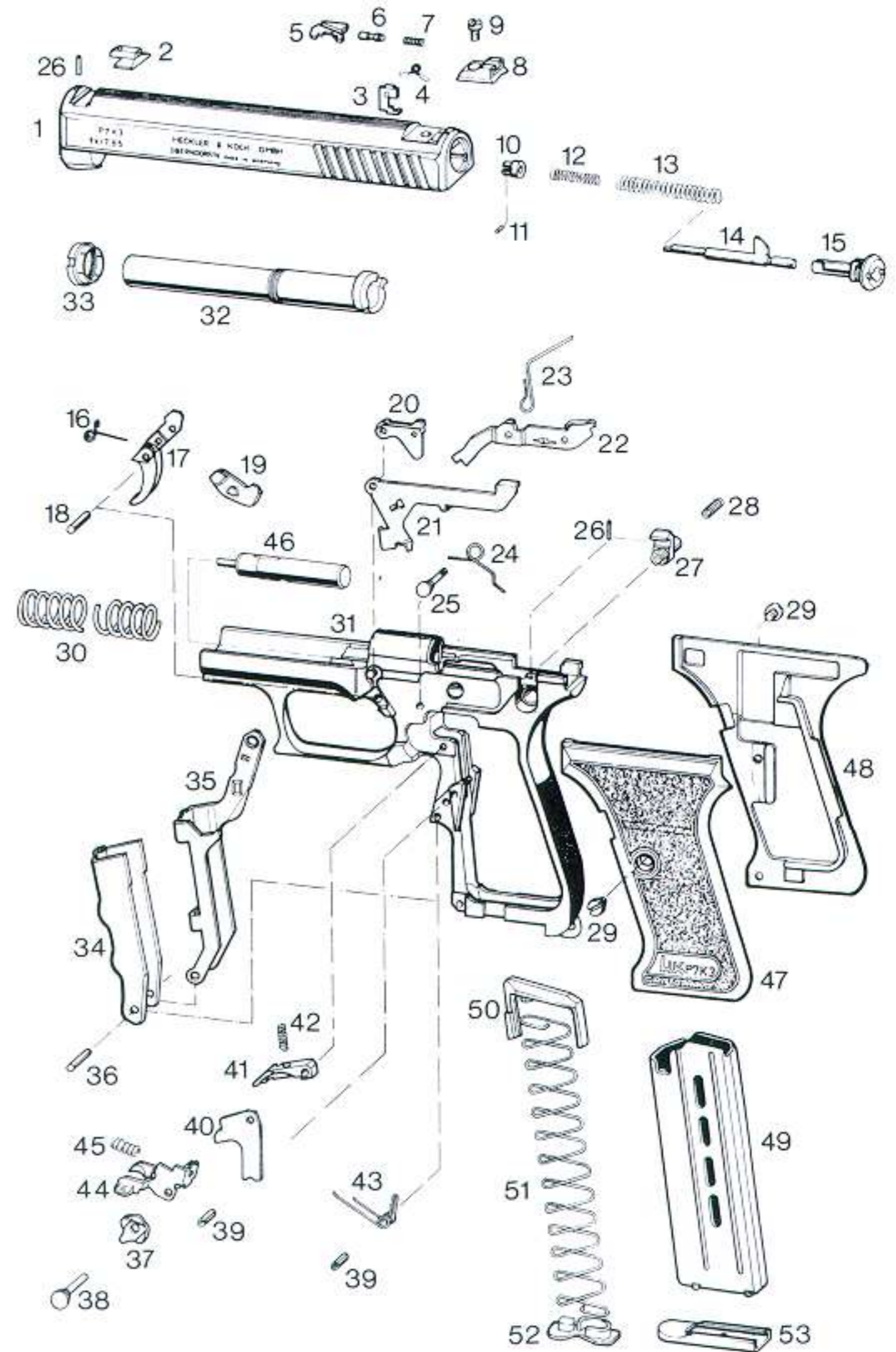
Components · Pistol P7 K3

Item	Designation	Ident-No.
1.1	Slide 9 mm short/7.65 mm	228080
1.2	Slide .22 LR	228101
2.1	Front sight, compl.	222864
2.2	Front sight, compl.	222865
2.3	Front sight, compl.	222866
2.4	Front sight, compl.	222867
2.5	Front sight, compl.	222868
3	Drop safety catch	228449
4	Drop safety catch spring	228322
5.1	Extractor 9 mm short/ 7.65 mm	228151
5.2	Extractor .22 LR	228100
6	Extractor spring guide	222819
7	Extractor spring	221896
8	Rear sight, compl.	222871
9	Rear sight screw	228145
10	Firing pin collar	221889
11	Firing pin collar pin	221908
12	Inertia spring	221897
13.1	Firing pin spring 9 mm short/7.65 mm	221898
13.2	Firing pin .22 LR	228394
14.1	Firing pin 9 mm short/ 7.65 mm	228138
14.2	Firing pin .22 LR	228104
15	Firing pin bushing	228150
16	Trigger spring	221877
17	Trigger	228310

Item	Designation	Ident-No.
18	Trigger pin	221880
19	Transmission lever	222282
20	Disconnecter	221857
21	Slide catch lever	228072
22	Sear bar, complete	228339
23	Sear spring	222892
24	Rocker spring	228366
25	Rocker spring axle	221890
26	Front sight/slide retainer pin (2x)	922606
27	Slide retainer	221858
28	Slide retainer spring	221871
29	Grip screw (2x)	928691
30	Recoil spring	228069
31	Receiver	228073
32.1	Barrel, cal. 9 mm short	228067
32.2	Barrel, cal. 7.65 mm	228092
32.3	Barrel, cal. .22 LR	228095
32.4	Floating chamber .22 LR	228096
33	Barrel nut	228068
34	Squeeze cocker	228071
35	Drag lever	222673
36	Magazine catch axle	222644
37	Rocker	221864
38	Flange bolt	222646
39	Dowel pin (2x)	922606
40	Stop	222186
41	Cocking latch	221863



Item	Designation	Ident-No.
42	Cocking latch spring	221872
43	Squeeze cocker spring	221875
44	Magazine catch, compl.	228137
45	Magazine catch spring	222672
46	Buffer, complete	228379
47	Grip left, complete	228075
48	Grip right, complete	228077
49	Magazine housing	
	9 mm short/7.65 mm	228084
49.1	Magazine housing .22 LR	228106
50	Follower 9 mm short	228085
50.1	Follower 7.65 mm	228063
50.2	Follower .22 LR	228089
51	Follower spring	
	9 mm short/7.65 mm	228086
51.1	Follower spring .22 LR	228184
52	Locking plate	228087
53	Magazine floor plate	228088
	Loading stud. .22 LR	228107
	(without illustration)	





Heckler & Koch, Inc. Lifetime Limited Warranty

From Heckler & Koch, Inc. To You—All Heckler & Koch firearms purchased after January 1, 1991, are warranted to the original retail purchaser only for the lifetime of the said original retail purchaser. In the event that this original retail purchaser, at the time of the original purchase, shall donate this firearm to another person, the donee must be listed on the warranty card, and the warranty card must be returned at that time to Heckler & Koch, Inc. Upon receipt of the warranty card indicating the name of the said donee, this warranty shall be extended to the lifetime of the said donee. This warranty applies only if the firearm was purchased from an Authorized HK Dealer in the United States or Canada, and if it was imported into the United States and distributed by Heckler & Koch, Inc. to an Authorized HK Dealer and/or through Heckler & Koch, Inc.'s Authorized Canadian Distributor. This lifetime warranty explicitly excludes sales to government institutions or law enforcement agencies.

What Will We Do—Heckler & Koch will, at its option, repair or replace without charge any HK firearm that fails due to a defect in materials or workmanship. Parts and labor are included. Repairs are warranted for the duration of the warranty. If HK replaces a firearm under this warranty, you will receive a new warranty. HK will return your firearm to you normal surface freight prepaid.

How to Obtain Service—You must send your firearm freight prepaid to Heckler & Koch at the address listed below. No C.O.D. shipments will be accepted. Only the existing HK Service Center at our Virginia facility, and any other authorized HK Service Center that may be established by HK, shall be authorized to make warranty repairs. Return the complete, unloaded firearm and any magazines with a detailed description of the problem. (**DO NOT** send any live ammunition with the firearm. If you must send ammunition to us for proof purposes, be sure that it is sent separately from the firearm.) You must provide Heckler & Koch, Inc. with satisfactory proof of date of original purchase. We strongly recommend that you return a properly completed warranty registration card to establish eligibility for warranty service. If you do not return a warranty card to HK, you are required at the time you send your firearm to Heckler & Koch warranty service to provide proof of the date that you purchased your new HK firearm. As stated earlier, in the event that this firearm was given as a gift at the time of original purchase, the warranty card with the name of the donee must be sent back to Heckler & Koch, Inc., in order for the warranty to become effective.

What Is Not Covered—This warranty does not cover defects or damage caused by: (1) unreasonable use; (2) failure to provide proper care or maintenance; (3) failure to comply with instructions in the owner's manual including improper installation of original HK parts by the owner or his agent; (4) normal wear and tear for the degree of use; (5) rust or corrosion; (6) obstructions in the barrels; or (7) excessive use. Heckler & Koch reserves the right to determine what constitutes the unreasonable or excessive use of the firearm. All wooden parts and all accessories are excluded from warranty coverage. This warranty does not cover any claims made by the second or subsequent owner of an HK firearm as stated above.

Any unauthorized alteration or modification of the firearm or use of parts or components not originally made by Heckler & Koch shall void this warranty. Heckler & Koch shall not be responsible for any claims involving this firearm that result from the use of faulty, non-standard, remanufactured, or reloaded ammunition or ammunition not manufactured to NATO and/or SAAMI specifications. Under no circumstances shall Heckler & Koch, Inc. be responsible or liable for incidental or consequential damages with respect to loss of use, loss of business or profits, other economic loss or injury to property, whether as a result of breach of express or implied warranty, negligence or otherwise. This Lifetime Warranty applies only to retail purchases by individuals. Heckler & Koch firearms purchased by law enforcement, military, and security organizations for duty issue to their personal are covered by a limited one year warranty.

Some states do not allow the exclusion or limitation of incidental or consequential damages, so the above limitation or exclusion may not apply to you. This warranty gives you specific legal rights, and you may also have other rights which vary from state to state. This limited warranty is the only express warranty by Heckler & Koch, Inc. Heckler & Koch, Inc. authorizes no dealer or any other person to vary the terms of this warranty or make any other express warranties.

Where to Get Further Help?—If you have questions concerning this warranty, please contact HK's Customer Service Department at the following address: Heckler & Koch, Inc., Customer Service, 21480 Pacific Blvd., Sterling, Virginia 20166-8903 USA. Telephone: 703/450-1900